

HYDROLIFT™

BORN TO LIFT

CRANE MODEL
2075



SAFETY
Hx

SAFETY
HPS
Inside

SAFETY
HPro
REMOTE

SAFETY
HPro+
EMS



www.hydrolift.in

CRANE 2075

STRUCTURE AND FRAME

- High tensile grade steel
- High-quality steel pins and bushes

WEATHER PROTECTION

- Zinc enriched primer for superior rust prevention
- Superior polyurethane paint
- Standard color RAL 3002
- Option - Other colors on customer request

DESIGN FEATURES

- European technology and design, produced in India under Make in India program
- High-quality branded components used in cranes

SAFETY AND CONTROLS

- Cranes with **HPS** have additional electro-hydraulic safety features fitted with safe overload protection
- Cranes with **HPro** are installed with radio remote controls for safe remote operations
- Cranes with **HPro+** are installed with electro-hydraulic safety, radio remote control and Intelligent Monitoring System along with Crane diagnostics

HYDRAULIC POWER

- High pressure hydraulic piston pump
- Working pressure 300 bar

ATTACHMENTS



AUGER



POLYGRAB



LOG GRAB



WINCH



MAN BASKET



BRICK BLOCK CLAMP

OPTIONS



RADIO REMOTE



OIL COOLER



EXTRA STABILIZER

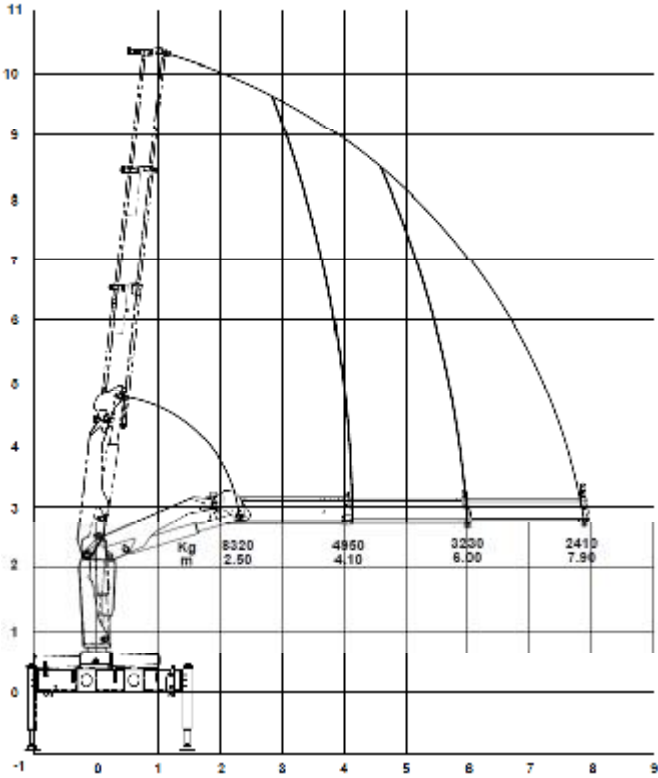


TOP SEAT

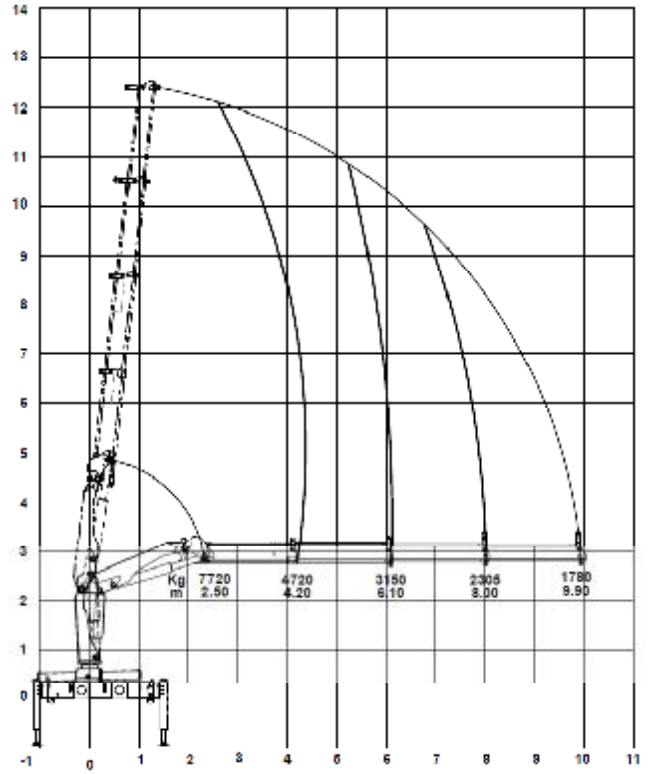
CRANE 2075

LOAD CHART

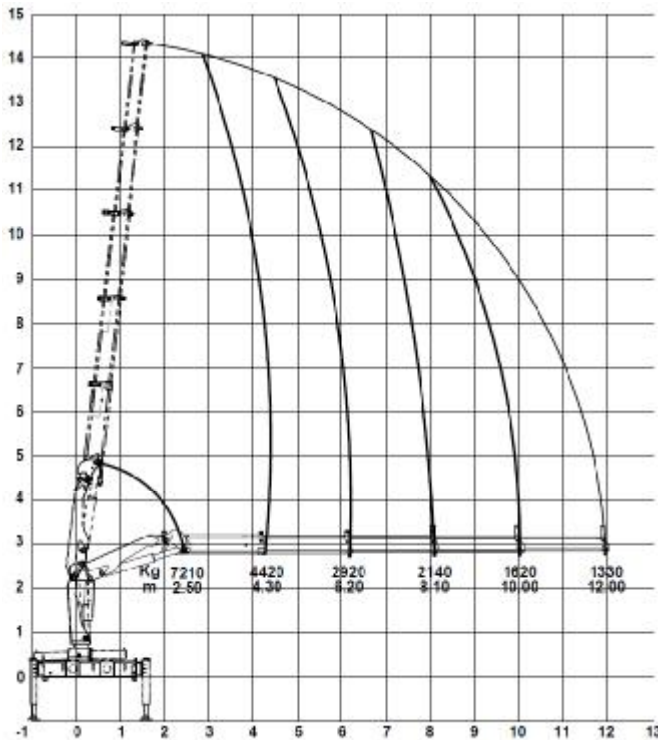
2075 K2



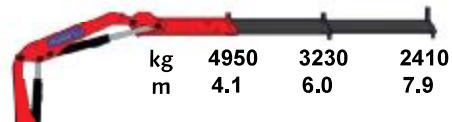
2075 K3



2075 K4



2075 - K2



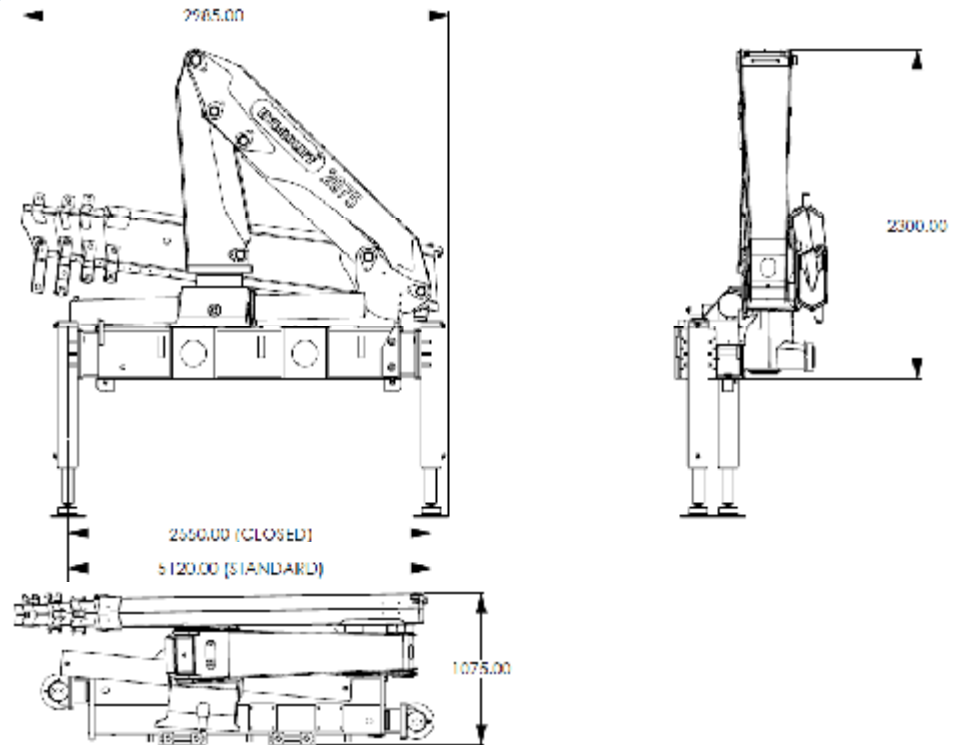
2075 - K3



2075 - K4



CRANE 2075



SPECIFICATIONS

| EN12999 | UNITS | K2 | K3 | K4 |
|----------------------------------|------------|--|--|--|
| Load Moment | tm | 20.3 | 19.8 | 19.0 |
| Hydraulic Reach | m | 7.9 | 9.95 | 12.0 |
| Lifting Capacity | kg-m | 8320 @ 2.5 4950 @ 4.1 3230 @ 6.0 2410 @ 7.9 | 7720 @ 2.5 4720 @ 4.2 3150 @ 6.1 2305 @ 8.0 1780 @ 9.9 | 7210 @ 2.5 4420 @ 4.3 2920 @ 6.2 2140 @ 8.1 1620 @ 10.0 1330 @ 12.0 |
| Slewing Angle | Degree (°) | 400 | 400 | 400 |
| Slewing Torque | kg-m | 2405 | 2405 | 2405 |
| Height above Chassis when folded | mm | 2300 | 2300 | 2300 |
| Width when folded | mm | 1075 | 1075 | 1075 |
| Stabilizer spread, Standard | mm | 5120 | 5120 | 5120 |
| Stabilizer spread, Extra long | mm | 6530 | 6530 | 6530 |
| Standard loader weight | kg | 2350 | 2500 | 2660 |
| Max. operating pressure | bar | 300 | 300 | 300 |
| Recommended Pump Flow | l/min | 47 | 47 | 47 |

© Hydrolift Cranes Pvt. Ltd. Specifications and dimensions are subject to change without notice. Please verify before finalization.

HYDROLIFT CRANES PRIVATE LIMITED

Bldg. No. 322/2, Moje Kalote, Mokashi, Old Mumbai - Pune Highway, Taluka: Khalapur,
Dist. Raigad, Maharashtra - 410 206, India | Email: info@hydrolift.in

Dealer: